

# DuraDecor

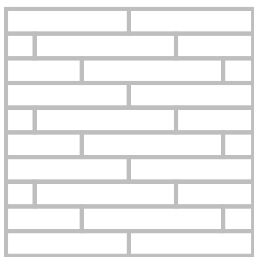
## WALL INSTRUCTIONS – GENERAL INFORMATION

DuraDecor is intended for indoor, do-it-yourself application and installations for residential use only, on properly prepared vertical walls and subfloors. DuraDecor is not suitable for commercial applications. Do not install DuraDecor until this document is read, understood, and followed. The optimal operating temperature is between 65°F - 85°F (18°C - 29°C). Protect from constant exposure to direct sunlight (heat) using blinds or curtains as high temperature may cause the adhesive to reactivate and release. Check and make sure all the lot numbers on the packaging match, if they do not, replace the boxes with ones that do.

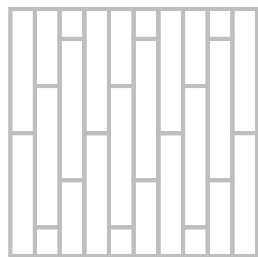
## QUICK REFERENCE

Acclimation, Installation & Service Temperature	65°F - 85°F (18°C - 29°C) for ≥ 12-hours
Moisture & pH Testing	Not required but substrate surface must remain dry
Wet Areas	Not Suitable for wet areas like showers or sauna (steam) rooms
Flatness Tolerance	Floor ≤ 1/16-inch over 6-foot and 3/32-inch over 1-foot
Expansion Gap	1/32-inch

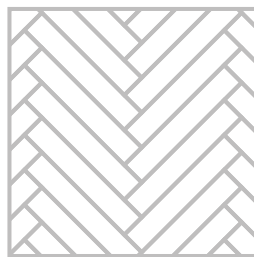
## DESIGN OPTIONS



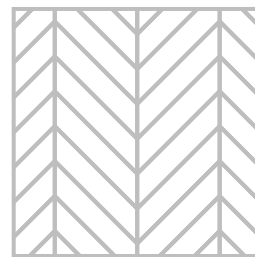
RANDOM,  
HORIZONTAL



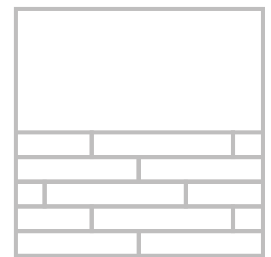
RANDOM,  
VERTICAL



HERRINGBONE



CHEVRON

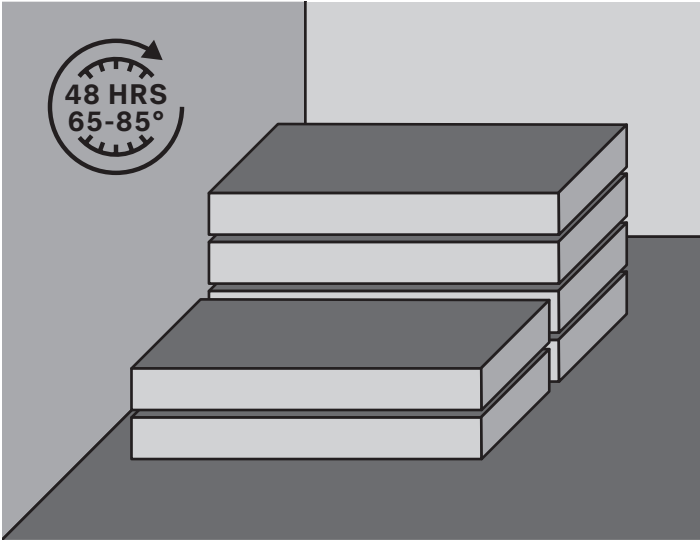


WAINSCOTING

**Warning:** The Occupational Safety and Health Administration (OSHA) has exposure limits for people exposed to respirable crystalline silica; these limits must be followed. All local, state and federal regulations must also be followed; this includes but is not limited to the removal of in-place asbestos and/or lead-containing material. Do not use solvent/citrus based adhesive removers. When appropriate, follow the Resilient Floor Covering Institute's (RFCI) "Recommended Work Practice for Removal of Existing Floor Covering and Adhesive". All appropriate Safety Data Sheet (SDS) must be read, understood, and followed. Always wear safety glasses and use respiratory protection or other safeguards to avoid inhaling any dust.

**Waterproof:** Although DuraDecor is waterproof, the following requirements are precautionary as it is known that high moisture, combined with any organic material trapped beneath the flooring may facilitate mold growth. Any resulting, property damage and/or any resulting health issues as a direct result of mold is not covered by the limited warranty of this flooring or adhesive.

## WALL INSTRUCTIONS

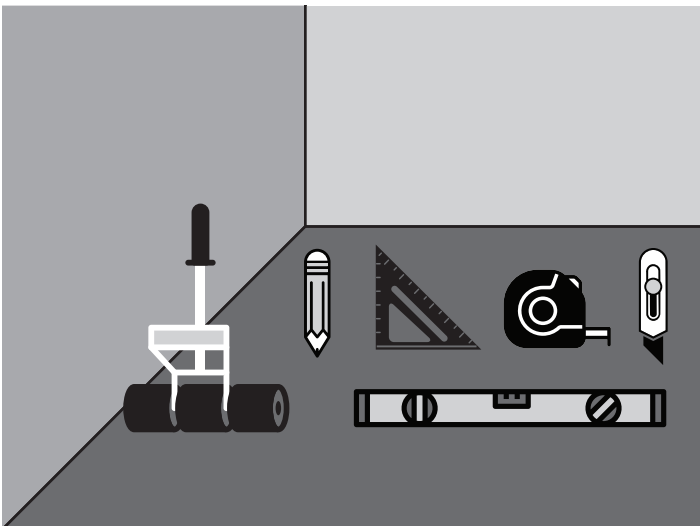


**Acclimation:** Boxes must be stored flat and not stacked, within the required area, which is between 65°F and 85°F for  $\geq 12$ -hours.

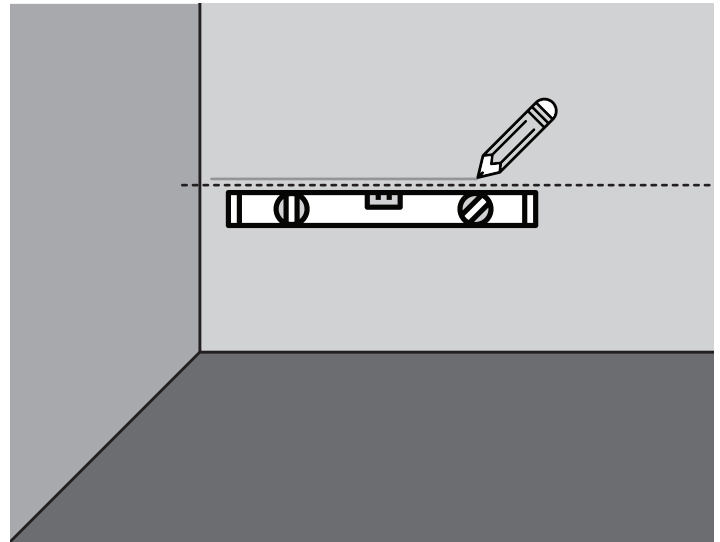
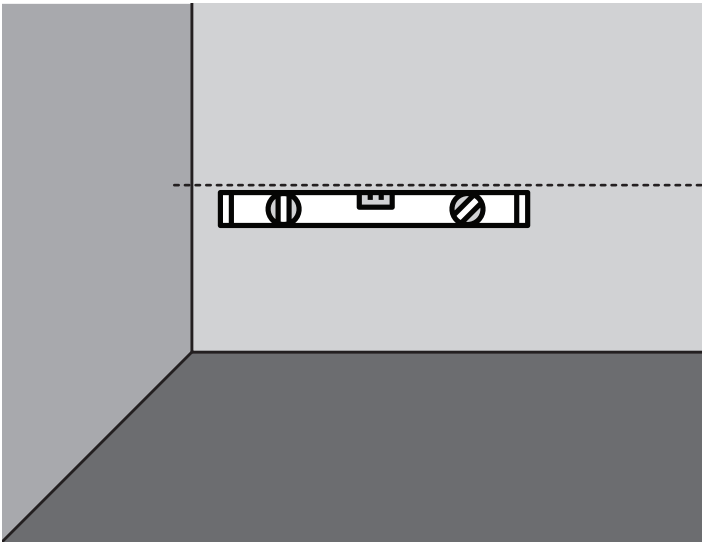
**Wall Requirement:** All walls must be dry, without signs of any moisture or moisture damage, mold or mildew, be clean, without contaminants like dust, grease or any other bond inhibiting material, smooth, without holes or ridges and flat to a tolerance of 1/8-inch over 6-foot and 3/32-inch over 1-foot in any direction and be structurally sound.

Holes, seams, cracks, and voids, etc. in existing dry-walls must be filled with an appropriate gypsum-based patch or joint compound and sanded smooth. New drywall or repairs must be primed using a suitable PVA primer and allowed to fully dry/cure before installation. Existing painted walls should be lightly sanded using fine sandpaper or steel wool, then wiped clean with a damp cloth and allowed to dry. New plaster and paint must be at least 30 days old, to allow it to cure properly. Clean new plaster with diluted vinegar and water (1-1) and allow to dry. Dirt and grease must be removed by washing with a suitable detergent and warm water, then be allowed to dry.

**Unsuitable Surfaces:** Do not install DuraDecor over any wallpaper or wall covering, flaking paint, adhesive of any type, or any other unstable surface. Including chipboard, OSB, luan plywood, mahogany-based plywood, Masonite™, finished or pre-finished paneling, or varnished finishes cement board, fiber-based backing boards, cinder block or brick, or any other non-underlayment grade panel; oil-based enamels or similar paints; primer sealers or primer stain-blockers.



**Tool List (not included):** Safety glasses, dust-mask, 6-foot level, tape measure, pencil, framer's or speed square, utility knife with blades and wall or laminating three-section roller with extendable handle (~ 9-inch wide). Optional; guillotine style cutter.

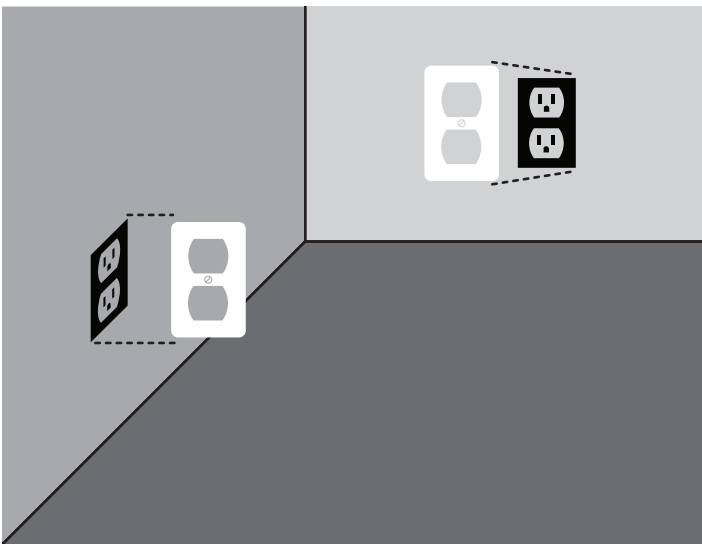


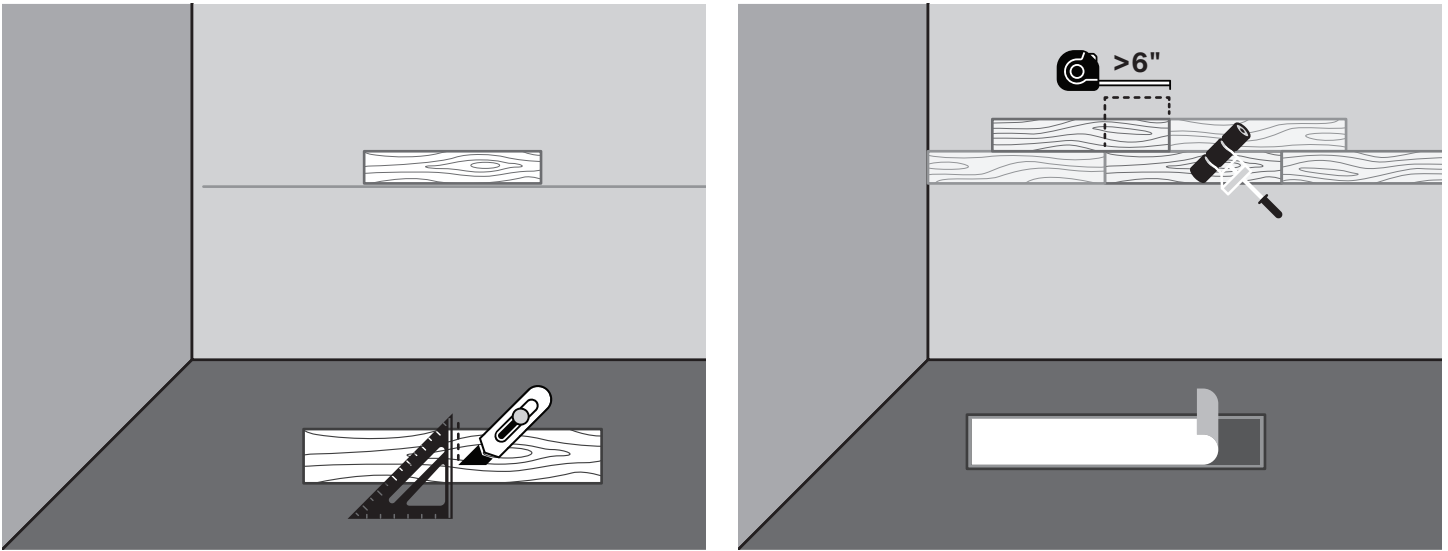
**Layout:** The layout is recommended to be balanced with equal sizes on the top/bottom and left/right. Measure the area, calculate and mark your center/starting line (length direction) using a pencil and level. If the last rows are going to be less than half the width of a plank, then move your line over by half the width of the plank.

A random pattern is recommended with  $\geq 6$ -inches end-seam separation from the previous row. Measure and mark your starting point, one end of your first plank (near the center of the wall).

Do not install within 4-inches (10-cm) of any radiant heat source like boiler systems with wall mounted exchangers or radiators, electric or other types of baseboard heating systems. Ensure that open ranges and cooktops are at least 8-inches (20-cm) away and enclosed ovens, stoves, toasters, toaster ovens, fryers, etc. are at least 2-inches (6-cm) away from the installed DuraDecor.

Electrical outlets and light switch covers should be removed after the power supply has been shut off. The DuraDecor cut to fit around them and then have the covers replaced, covering all cut edges. All electrical work must be performed by qualified electricians.





**Cutting:** To cut DuraDecor, measure, mark and carefully use a sharp utility knife and a framer's or speed square to score the product from the top side, snap it down and finish the cut from the backside to trim the release film at the same time alternatively, cut using a guillotine style tile cutter. For complicated cuts.

**Installation:** Mix planks from several boxes to ensure a random appearance. During the installation, inspect for visible defects, including damage, gloss, color, or shade variations. If you have any concerns, do not install them as doing so assumes acceptance and full responsibility for the damaged or defective material. If required, immediately contact the technical department at [CustomerCare@DuraDecor.com](mailto:CustomerCare@DuraDecor.com) for assistance.

Remove the release paper from the back of each plank as you go and immediately place the release paper in a trash bag. Be very careful to correctly position the plank, following your starter line before applying any pressure, then install the next, keeping it snug to the last, continue and complete one row at a time. Leave a 1/32-inch expansion gap around the entire perimeter. After each row is completed, roll firmly using a wall or laminating three-section roller with extendable handle (~ 9-inch wide). Rolling is very important as the adhesive is pressure sensitive, and failure to roll may result in bond failure.

The off-cut from the previous row may be used as a starter for one of the following rows, making sure the end joints are random and at least 6-inches apart from the previous row, plus at least 9-inches in length.

When finished, replace any wall trim, cove base, or moldings. If hanging pictures or other objects on the wall after installation, pre-drill through DuraDecor first, to avoid damage. After 72-hours the expansion gaps may be filled using a paintable and flexible caulking.

## MAINTENANCE INSTRUCTIONS

**Precautions:** Do not perform any wet maintenance procedures on the floor for 72-hours. Remove all metal objects before wetting the flooring. Do not use dust mops treated with oils or silicones, acetone, strong alkaline cleaning agents, multi-surface cleaners, vinegar/ammonia/ citrus oil solutions, scouring powder, strong solvents, or abrasive cleaning pads, as these can damage the flooring. The application of a floor finish is not usually required. Prohibit foot traffic until the floor is completely dry.

**Regular Cleaning:** Dust mop or vacuum (without a beater bar) the floor to remove any dirt or grit. Damp mop the flooring and walls as often as required using a clean, flat microfiber mop and a suitable diluted vinyl floor cleaning solution (neutral pH).