

# DuraDecor

## FLOOR INSTRUCTIONS – GENERAL INFORMATION

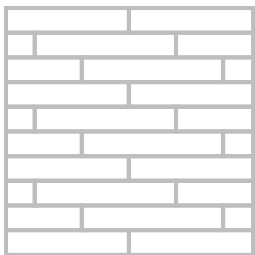
DuraDecor is intended for indoor, do-it-yourself application and installations for residential use only, on properly prepared vertical walls and subfloors. DuraDecor is not suitable for commercial applications. Do not install DuraDecor until this document is read, understood, and followed. Non-rubber or latex-backed entrance matting should be used at all outdoor entrances; this will improve air quality and reduce maintenance. The optimal operating temperature is between 65°F - 85°F (18°C - 29°C). Protect from constant exposure to direct sunlight (heat) using blinds or curtains as high temperature may cause the adhesive to reactivate and release.

Do not use any acoustic underlayment. Felt glides  $\geq 1\text{-inch}^2$  (645-mm<sup>2</sup>) must be used on all furniture that may slide on the floor. Do not move heavy or sharp objects across the floor; use protective boards. Check and make sure all the lot numbers on the packaging match, if they do not, replace the boxes with ones that do.

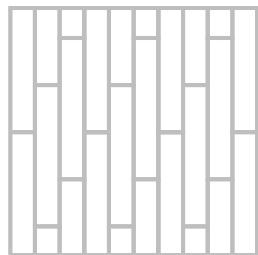
## QUICK REFERENCE

Acclimation, Installation & Service Temperature	65°F - 85°F (18°C - 29°C) for $\geq 12$ -hours
Moisture & pH Testing	Not required but substrate surface must remain dry
Wet Areas	Not Suitable for wet areas like showers or sauna (steam) rooms
Flatness Tolerance	Floor $\leq 1/16$ -inch over 6-foot and $3/32$ -inch over 1-foot
Expansion Gap	1/32-inch
Expansion Joints & Doorway Transitions	Not Required
Radiant Heating	Acceptable
Acoustic Underlayment	Not recommended

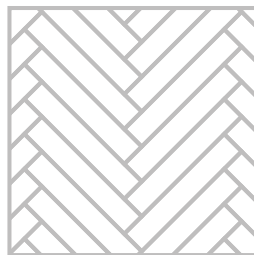
## DESIGN OPTIONS



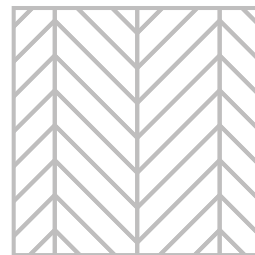
RANDOM,  
HORIZONTAL



RANDOM,  
VERTICAL



HERRINGBONE

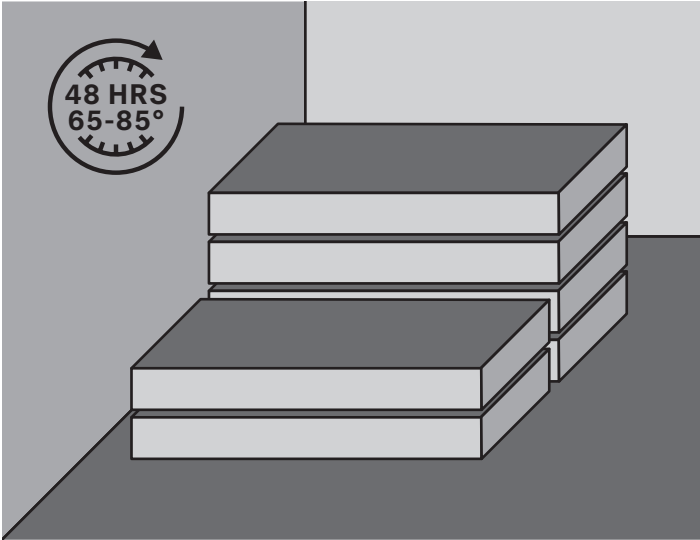


CHEVRON

**Warning:** The Occupational Safety and Health Administration (OSHA) has exposure limits for people exposed to respirable crystalline silica; these limits must be followed. All local, state and federal regulations must also be followed; this includes but is not limited to the removal of in-place asbestos and/or lead-containing material. Do not use solvent/citrus based adhesive removers. When appropriate, follow the Resilient Floor Covering Institute's (RFCI) "Recommended Work Practice for Removal of Existing Floor Covering and Adhesive". All appropriate Safety Data Sheet (SDS) must be read, understood, and followed. Always wear safety glasses and use respiratory protection or other safeguards to avoid inhaling any dust.

**Waterproof:** Although DuraDecor is waterproof, it is not a waterproof barrier. The following requirements are precautionary as it is known that high moisture, combined with any organic material trapped beneath the flooring may facilitate mold growth. Any resulting, property damage and/or any resulting health issues as a direct result of mold is not covered by the limited warranty of this flooring or adhesive. Do not leave liquid on the flooring surface, wipe up spills immediately, and allow the floor to dry before allowing foot traffic. wet, remove the flooring, wash the substrate and the back of the flooring and allow them both to dry before replacing. Do not install this flooring if hydrostatic pressure exists.

## FLOOR INSTRUCTIONS



**Acclimation:** Boxes must be stored flat and not stacked, within the required area, which is between 65°F and 85°F for  $\geq 12$ -hours.

**Radiant Heated Substrates:** Radiant heated systems are acceptable providing they do not have direct contact with the flooring and is set at 70°F (21°C) for 48-hours before and during and 48-hours after the installation. Never change the temperature, more than 10°F over twelve hours and do not exceed 85°F (29°C).

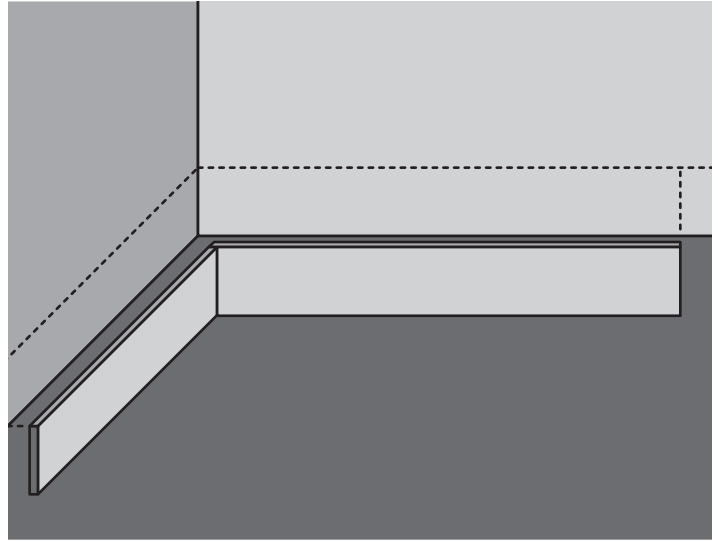
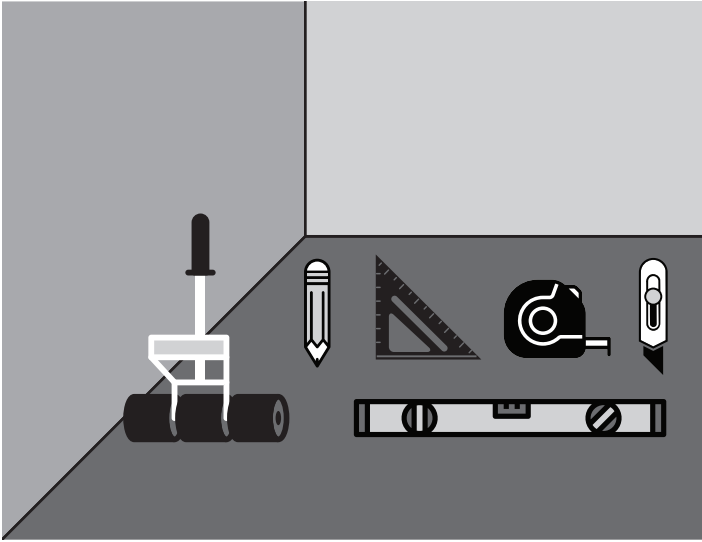
**Concrete Subfloors:** The prepared substrate must be and remain surface dry, clean (without contaminants, mold or mildew), be structurally sound, smooth (ridge-free) within a flatness tolerance of  $\leq 1/16$ -inch over 6-foot and  $3/32$ -inch over 1-foot in all directions. If required, smooth using a suitable leveling or patching underlayment, following the written instructions from the manufacturer. Do not install DuraDecor if hydrostatic pressure exists.

**Gypsum Subfloors:** All finished gypsum substrates must be and remain dry, fully bonded and structurally sound, clean (without contaminants), smooth (ridge-free) within a flatness tolerance of  $\leq 1/16$ -inch over 6-foot and  $3/32$ -inch over 1-foot in all directions. If required, smooth using a suitable gypsum based leveling or patching underlayment, following written instruction of the manufacturer including any requirement to prime.

**Wooden Subfloors:** The substrate must be clean (without contaminants), be and remain dry according to the NWFA guidelines for your region, structurally sound (without movement) and smooth (ridge-free) within a flatness tolerance of  $\leq 1/16$ -inch over 6-foot and  $3/32$ -inch over 1-foot in all directions. Fix down any loose or squeaking boards. If required, use an underlayment grade plywood, with a minimum thickness of  $1/4$ ". For bathrooms, etc. use exterior grade plywood. Using ring nails  $\sim 4$ -inches apart and 1-inch away from the edge around all boards and ring nail the rest, flush at 6-inch centers (minimum).

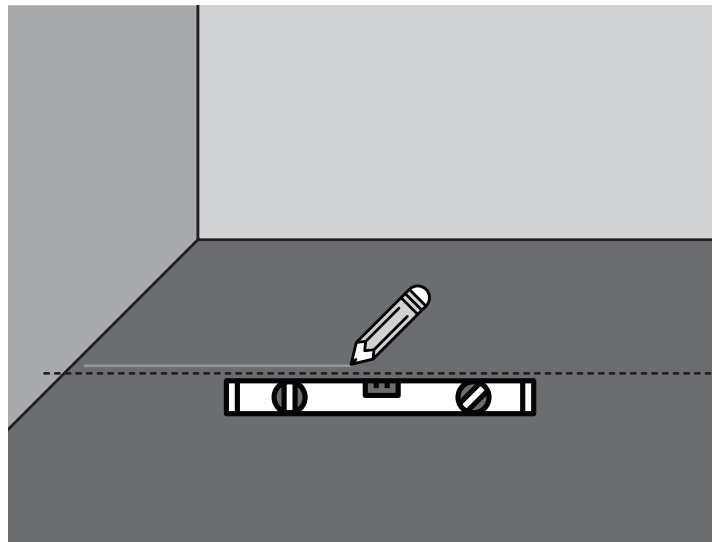
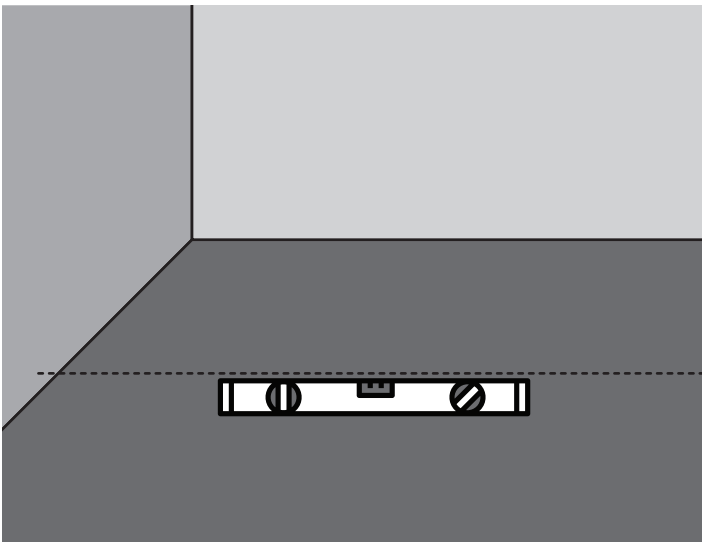
**Other Subfloors and Substrates:** Some other substrates may be acceptable; however, they must be and remain dry, clean (without contaminants), structurally sound (without movement), smooth (ridge-free) within a flatness tolerance of  $\leq 1/16$ -inch over 6-foot and  $3/32$ -inch over 1-foot in all directions.

**Unsuitable Substrates:** Do not install over any carpet, cushion vinyl, rubber, cork, asphalt tile, chipboard, OSB, luan plywood, mahogany-based plywood, Masonite™, finished or pre-finished paneling, varnished finishes, cement board, fiber-based backing boards or non-underlayment grade panel; oil-based enamels or similar paints, primer sealers or primer stain-blockers, or any other floating (unfixed) floor covering or underlayment. Do not install directly over any acrylic or water-based adhesive residue (remove or cover).



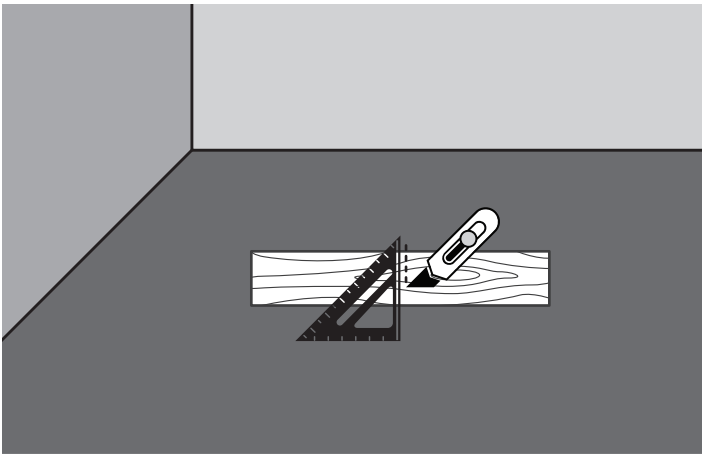
**Tool List (not included):** Hepa filtered vacuum, safety glasses, dust mask, 6-foot or laser level, tape measure, pencil, framer's or speed square, utility knife with blades, 100 lb. three-section roller, or a wall or laminating three-section roller with extendable handle (~9-inch wide), and knee pads. Optional; guillotine style cutter.

**Layout:** It is recommended to remove the wall-base or baseboard and to undercut the door trims (to slide the flooring under). The layout should be balanced with equal sizes on both sides. Measure the width of the area, calculate and mark your center line (pencil and straight edge). This will be used as your starting line, however, if the last row (at the wall) is less than half the width of a plank, then move your line over by half the width of a plank.

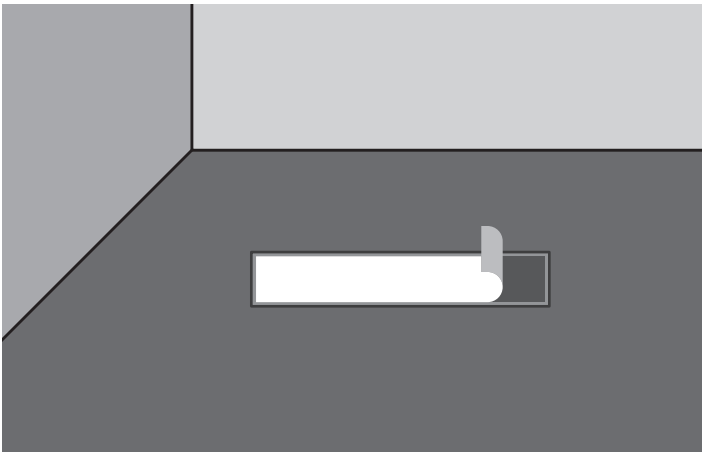


It is recommended to use a random pattern with  $\geq 6$ -inches end-seam separation from the previous row. Measure, plan, and mark your starting point. Clean the entire area to be installed (Hepa filtered vacuum).

Mix planks from several boxes to ensure a random appearance. During the installation, inspect for visible defects, including damage, gloss, color, or shade variations. If you have any concerns, do not install them as doing so assumes acceptance and full responsibility for the damaged or defective material. If required, immediately contact the technical department at [CustomerCare@DuraDecor.com](mailto:CustomerCare@DuraDecor.com) for assistance.

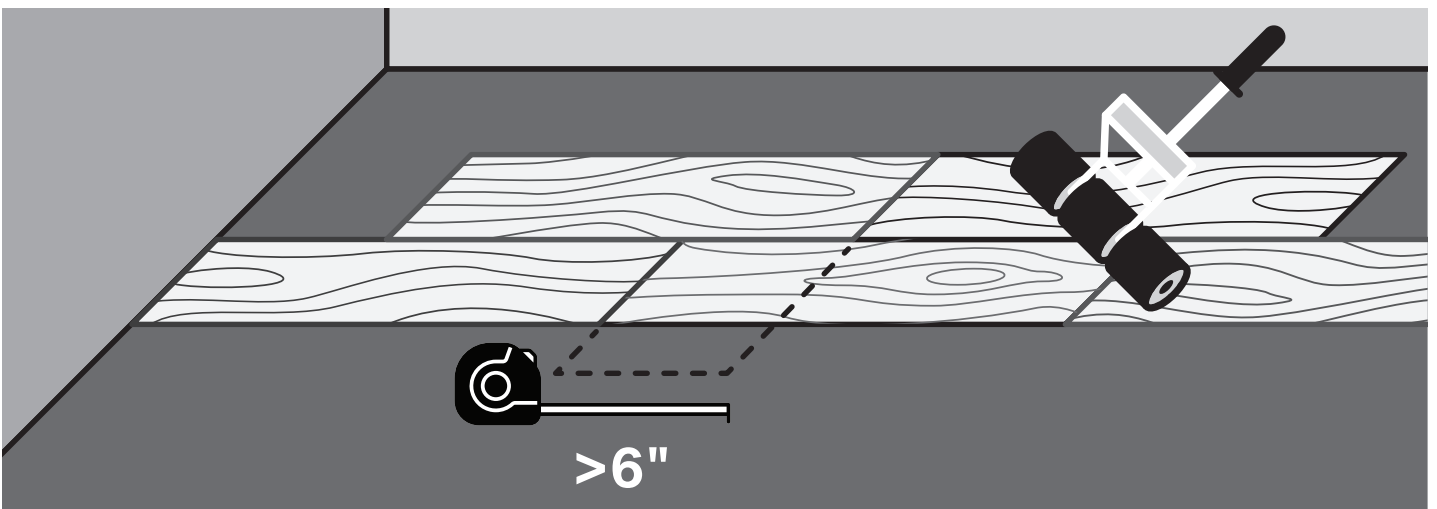


**Cutting:** To cut DuraDecor, measure, mark and carefully use a sharp utility knife and a framer's or speed square to score the product from the top side, snap it down and finish the cut from the backside to trim the release film at the same time alternatively, cut using a guillotine style tile cutter. For complicated cuts.



**Installation:** Remove the release paper from the back of each plank as you go and immediately place the release paper in a trash bag. Be very careful to position the flooring in the correct position following your starter line before applying any pressure, then install the next keeping it snug to the last, continue and complete one row at a time. Leave a 1/32-inch gap around the entire perimeter to allow for any expansion. After each row is completed, roll firmly using a 100 lb. three-section roller, or a wall or laminating three-section roller with extendable handle (~9-inch wide) and your body weight to press the flooring down into the adhesive. Rolling is very important as the adhesive is pressure sensitive, and failure to roll may result in bond failure.

The off-cut from the previous row may be used as a starter for one of the following rows, making sure the end joints are random and at least 6-inches apart from the previous row, plus at least 9-inches in length. When finished, replace any wall trim, cove base, or moldings.



## MAINTENANCE INSTRUCTIONS

**Precautions:** Do not perform any wet maintenance procedures on the floor for 72-hours. Remove all metal objects before wetting the flooring. Do not use dust mops treated with oils or silicones, acetone, strong alkaline cleaning agents, multi-surface cleaners, vinegar/ ammonia/ citrus oil solutions, scouring powder, strong solvents, or abrasive cleaning pads, as these can damage the flooring. The application of a floor finish is not usually required. Prohibit foot traffic until the floor is completely dry.

**Regular Cleaning:** Dust mop or vacuum (without a beater bar) the floor to remove any dirt or grit. Damp mop the flooring and walls as often as required using a clean, flat microfiber mop and a suitable diluted vinyl floor cleaning solution (neutral pH).